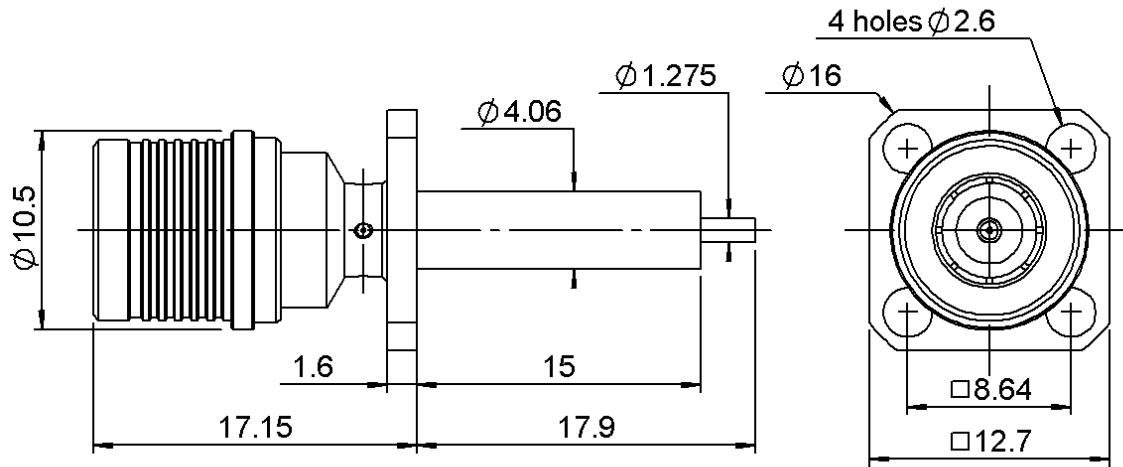


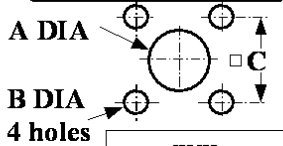
**SQUARE FLANGE PLUG RECEPTACLE**

**R123.441.000**

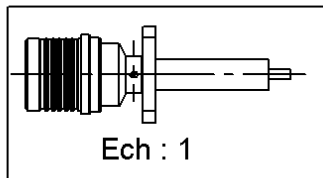
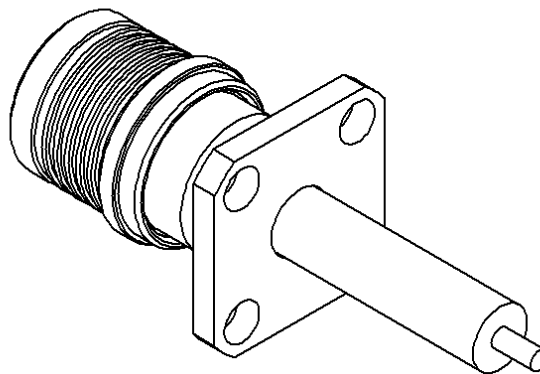
Series : QMA



**PANEL CUT OUT**



	mm	
	Maxi	mini
A	4.2	4.1
B	2.7	2.6
C	8.69	8.59



All dimensions are in mm.



COMPONENTS	MATERIALS	PLATINGS ( $\mu\text{m}$ )
BODY	BRASS	BBR 2
CENTER CONTACT	BRASS	GOLD 1.3 OVER COPPER 2.5
OUTER CONTACT	BRONZE	BBR 2
INSULATOR	PTFE	
GASKET		
OTHERS PARTS	BRASS	BBR 2
.	-	-
.	-	-

Issue : 0537 A

In the effort to improve our products, we reserve the right to make changes judged to be necessary.



**SQUARE FLANGE PLUG RECEPTACLE**

**R123.441.000**

Series : QMA

**PACKAGING**

**SPECIFICATION**

Standard	Unit	Other
<b>100</b>	<b>'W' option</b>	<b>Contact us</b>

**ELECTRICAL CHARACTERISTICS**

**ENVIRONMENTAL**

Impedance		<b>50</b> Ω
Frequency		<b>0-6</b> GHz
VSWR	<b>*1.08</b> +	<b>0.000</b> x F(GHz) Maxi
Insertion loss		<b>0.05</b> √F(GHz) dB Maxi
RF leakage	- (	<b>80</b> - F(GHz)) dB Maxi
Voltage rating		<b>500</b> Veff Maxi
Dielectric withstanding voltage		<b>1000</b> Veff mini
Insulation resistance		<b>5000</b> MΩ mini

Operating temperature	<b>-40/+80</b> ° C
Hermetic seal	<b>NA</b> Atm.cm3/s
Panel leakage	<b>NA</b>

**OTHERS CHARACTERISTICS**

Assembly instruction

Others :

\* Coaxial Transmission Line Only

**MECHANICAL CHARACTERISTICS**

Center contact retention		
Axial force – Mating end		<b>18</b> N mini
Axial force – Opposite end		<b>18</b> N mini
Torque		<b>2.7</b> N.cm mini
Recommended torque		
Mating		<b>NA</b> N.cm
Panel nut		<b>NA</b> N.cm
Mating life		<b>100</b> Cycles mini
Weight		<b>6.632</b> g

Issue : 0537 A

In the effort to improve our products, we reserve the right to make changes judged to be necessary.



**RADIALL**®